

Vegetable Slicer Cutter Slicer 7 Lt - Variable Speed - Japan

ITEM # _____

MODEL # _____

NAME # _____

SIS # _____

AIA # _____


602325 (K70VV1J)

Cutter Mixer 7 lt capacity, variable speed. Supplied with micro toothed blade rotor and stainless steel bowl, JIS plug, 100V/1 (Japan)

Short Form Specification

Item No.

2 in 1 machine: table-mounted cutter and emulsifier thanks to the ergonomic and easily dismantable scraper, in heavy duty composite material, for liquidising, mixing and mincing in a matter of seconds. Stainless steel 7 litre bowl with high chimney to increase the real capacity of the bowl. Unique bowl design for mixing both large or small quantities. Transparent lid to check consistency of food and to eventually add ingredients without having to open the lid. Hinged cover, when lifted, remains open to permit a fast and easy check of preparation. Micro toothed blades in 420 AISI stainless steel. All parts are easily dismantled and dishwasher safe. Multiple safety devices ensure the machine will only operate when the cover is properly closed and all parts are correctly positioned. Flat and waterproof control panel with on/off button, pulse function and variable speed (from 300 to 3700 rpm).

Main Features

- Emulsifier function (scraper) included as standard.
- All parts in contact with food are removable without the use of tools, completely dismantable and dishwasher safe.
- Pulse function for coarse chopping.
- Base fixed cover for a better handling.
- Capacity: for 50-150 meals per service.
- Delivered with:
- 7 lt stainless steel cutter bowl, transparent lid, scraper and microtoothed blade rotor.

Construction

- Stainless steel bowl has a high chimney to ensure high productivity also when processing liquids.
- IPX5 (IP55) waterproof, flat, touch-control panel.
- Compact and portable design.
- Asynchronous industrial motor with no brushes for high reliability and quiet functioning, stainless steel motor shaft.
- Improved ventilation system to manage smoothly heavy duty use.
- Reinforced feet to withstand the repeated handling of the unit.
- Food processing at 10 variable speeds: 300-3700 rpm.

Included Accessories

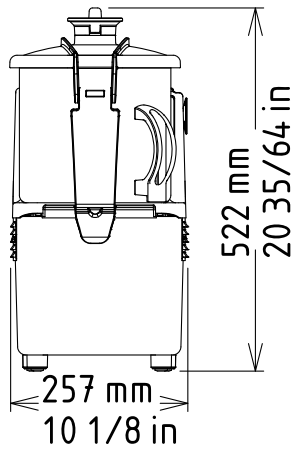
- 1 of Stainless steel bowl for 7 lt cutter mixer PNC 653593

Optional Accessories

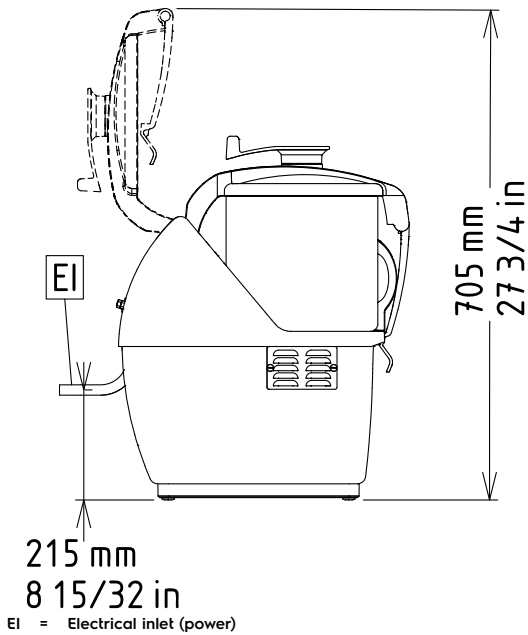
- Stainless steel bowl for 7 lt cutter mixer PNC 653593 □

APPROVAL: _____

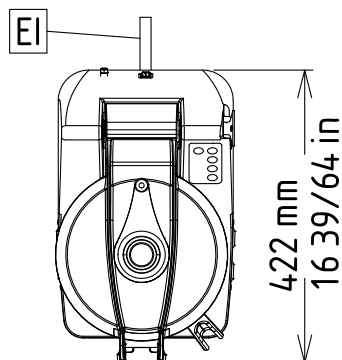
Front



Side



Top



Electric

Supply voltage:

602325 (K70VV1J) 100 V/1N ph/50/60 Hz

Electrical power max.:

1.5 kW

Capacity:

Performance (up to):

3.5 kg/Cycle

Capacity:

7 litres

Key Information:

External dimensions, Width: 256 mm

External dimensions, Depth: 422 mm

External dimensions, Height: 522 mm

Shipping weight: 24 kg